

Air Conditioners

Heating & Cooling

R-410A

Rooftop

- » **'Plug-and-play'**
for easy installation
- » **High efficiency**
- » **Wide operating range**
- » **Compact unit**
- » **Economiser option**
for 'free cooling'
and greater energy
efficiency



UATYQ-CY1



Rooftops R-410A: Features

- › Flexible air supply: Since all the units utilize an adjustable belt/ pulley driven supply air fan as standard, the units are able to meet a wide range of supply air volumes and external static pressures. Furthermore, the supply air fan motors, pulleys and belts (field supplied) can be easily changed on site to meet exact air flow and ESP requirement if required.
- › Refrigerant is pre-factory charged to ensure **clean and efficient operation**
- › **Electric heater connection**
- › Coil with **anti-corrosion treatment** (gold fin)
- › **Electronic expansion valve** for better control of the refrigerant flow
- › **Cut-off switch** for emergency power cut-off

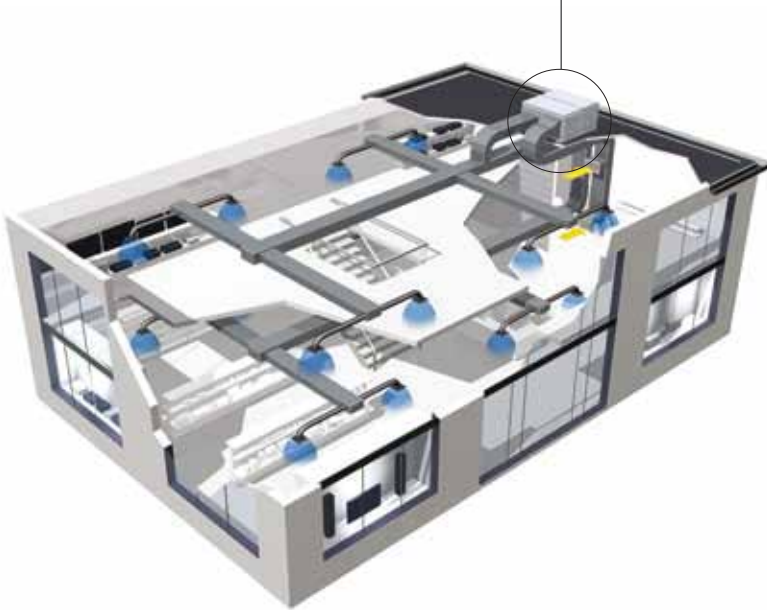
Control:

- › **Control panel** offered as standard
- › **Extended control length** up to 100m
- › Connectable to **Daikin control systems** (via option)

 Intelligent **Touch** Controller

 Intelligent **Manager**

PLUG AND PLAY INSTALLATION



› **Plug and play installation**

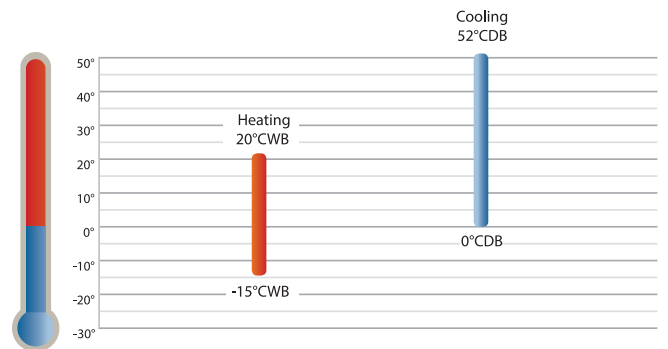
The single unit configuration requires no additional piping work as both the indoor and outdoor sides are pre-connected. Once the ductwork is installed, the only thing left to do is connect the unit.

› **High efficiency**

An EER up to 3.43 thanks to the combination of high efficient and reliable scroll compressors and R-410A refrigerant.

› **Wide operation range**

The UATYQ-CY1 series operate from 52°CDB down to 0°CDB in cooling and from 20°CWB down to -15°CWB in heating.

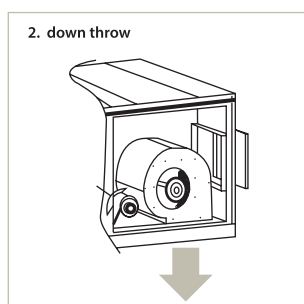
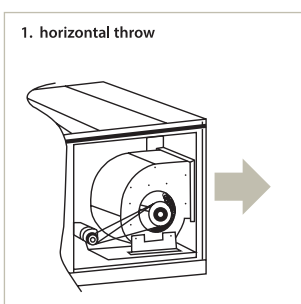


› **Compact unit**

The flat top design of the unit allows for maximum utilization of warehouse and container space

› **Field convertible return and supply air:**

Fan can be mounted in two directions



› **Cost-effective climate control with 'economiser' option**

The economizer option enables 'free cooling' and introduction of fresh air.

Free cooling takes place when the outside temperature is lower than the interior temperature. The outdoor air is there used as 'free' source of cooling.

Fresh air application is also possible. It allows to maintain a high-quality indoor environment. The connection to field supplied CO₂ sensors, that monitor the indoor air quality, regulates the amount of incoming fresh air.



Heating & Cooling

OUTDOOR UNIT				UATYQ250CY1	UATYQ350CY1	UATYQ450CY1	UATYQ550CY1	UATYQ600CY1	UATYQ700CY1	
Cooling capacity	Nom.			kW	27.340	35.580	44.720	55.690	66.820	72.600
Heating capacity	Nom.			kW	24.910	34.790	41.790	53.930	61.690	69.610
Power input	Cooling	Nom.		kW	8.140	10.780	13.040	16.740	19.650	21.610
	Heating	Nom.		kW	7.330	10.840	12.860	15.540	18.580	21.420
EER					3.36	3.30	3.43	3.33	3.40	3.36
COP					3.40	3.21	3.25	3.47	3.32	3.25
Evaporator	Air flow rate	Cooling		m ³ /min	-					
External static pressure				Pa	147				206	
Evaporator piping connections	Condensation drain size	OD		mm	25.4					
	Dimensions	Unit	HeightxWidthxDepth	mm	1,150x1,638x2,063	1,028x2,209x2,113	1,130x2,209x2,113	1,048x2,209x2,670	1,302x2,209x2,670	1,454x2,209x2,670
Condenser	Weight	Unit		kg	445	580	610	780	830	970
	Casing	Colour		Light grey						
Material		Electro-galvanised mild steel								
	Air flow rate	Cooling		cfm	8,230	12,000	12,100	12,900	20,200	21,200
Operation range	Cooling	Min.~Max.		°CDB	0~52					
	Heating	Min.~Max.		°CWB	-15~20					
Sound power level	Nom.		dBA	82	83		87	90		
Refrigerant	Type		R-410A							
Power supply	Phase/Frequency/Voltage			Hz/V	3~/50/380-415					

ECONOMISER				ECONO250AMY1	ECONO350AMY1	ECONO450AMY1	ECONO550AMY1	ECONO600AMY1	ECONO700AMY1	
Dimensions	Packed unit	Height	mm	534						
		Width	mm	1,440	1,430		1,458			
		Depth	mm	1,144	1,124		1,564			
Weight	Unit		kg	51	42	43	53	54	69	
Packing	Weight		kg	152	140	141	165	166	181	
Fan	Air flow rate	Cooling	Nom.	l/s	1,560	2,030	2,670	3,160	3,445	3,917
				cfm	3,300	4,300	5,650	6,700	7,300	8,300
Option for				UATYQ250CY1	UATYQ350CY1	UATYQ450CY1	UATYQ550CY1	UATYQ600CY1	UATYQ700CY1	



Remote control
as standard



Outdoor unit
UATYQ-CY1