



PCGMT2005



# STYLISH REMOTE CONTROLLER

BRC1H61W / K



•Specifications, designs and other content appearing in this brochure are current as of September 2020 but subject to change without notice.

©All rights reserved 09/20 SS



## 2 Colours

Available in two attractive colours, the new remote controller adds style and sophistication to any indoor space.

Measuring just 85 x 85 mm, the remote controller is extremely compact and will become a fluid part of any background.



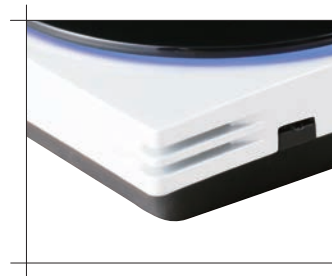
White  
BRC1H61W



Black  
BRC1H61K

## Sleek Stylish Design

Much like the perfection of its circular shape, the remote controller gives you perfect control over your individual climate.





# User-friendly Interface

The new remote controller combines functionality and simplicity. The minimalistic touch button control enlarges the display and makes the remote controller both easy and enjoyable to use.



## DAIKIN APP for Installer



Simplifies the advanced settings such as field settings and set point range.

- Visual interface simplifies advanced settings such as energy saving activation, setting restrictions, etc.
- Easy and quick commissioning, saves time and cost for installers.
- Featuring Bluetooth low energy technology.



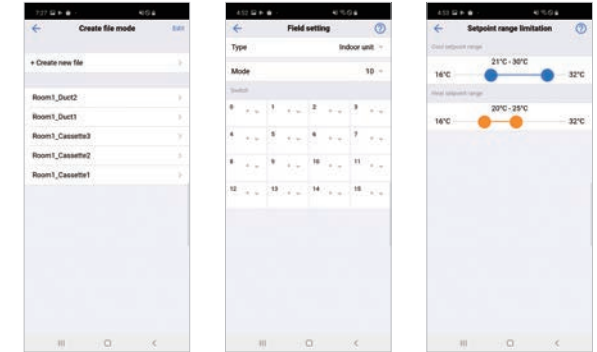


# Shorter and Easier Installation

The application connected to this controller provide 2 modes, Owner / Administrator mode and Installer mode (no end-user mode).

While traditional setting at the controller unit is still available, Installer mode makes installation faster and easier with

- On-site setting through smartphone application
- Set up multiple settings at once
- Save and reuse settings



# Setback

Maintains the room temperature in a specific range during unoccupied periods by temporarily starting an air conditioner that had been turned OFF.

Improved Setback function

Setback starting temperature is changed to lower in cooling and higher in heating compared to current wired remote controller.

Cooling

Heating

• The starting temperature for setback can be set from upper limit of setpoint +1°C to 35°C.

• The starting temperature for setback can be set from lower limit of setpoint -1°C to 5°C.

Ex) When upper limit temperature is set at 27°C by Setpoint range set function, Setback starting temperature is selectable from 28°C to 35°C.

Ex) When lower limit temperature is set at 15°C by Setpoint range set function, Setback starting temperature is selectable from 14°C to 5°C.

• Setback upper limit: 35°C

• Setback lower limit: 5°C





# Functions

✓ : Available

Functions	Remote controller			Application (Smartphone)		Remarks
	Basic operation	Administrator menu	Installer menu	Owner / Administrator mode	Installer mode	
Basic Function	Operation Start / Stop	✓				
	Operation mode	✓				
	Airflow rate (Fan speed)	✓				The number of airflow steps depends on indoor unit model.
	Airflow direction	✓				
	Setpoint	✓				
	Ventilation rate	✓				Available for only when Heat Reclaim Ventilator is connected.
	Ventilation mode	✓				
	Celsius / Fahrenheit	✓			✓	✓
Energy Saving	Setpoint range set			✓	✓	
	Sensing sensor low mode			✓	✓	Applicable for the indoor unit with infrared sensors.
	Sensing sensor stop mode			✓	✓	
Comfort	Airflow direction range (for Floor standing type)				✓	
	Individual airflow direction control			✓	✓	Applicable for the indoor unit with this function.
	Setback			✓	✓	
	Draft prevention			✓	✓	Applicable for the indoor unit with this function.
	Auto cooling / heating changeover (for Heat pump type)			✓	✓	This function shall not be used when Wireless LAN connecting adaptor for SkyAir is used.
	Setpoint minimum differential			✓	✓	Allowed to disable the settings.

# Functions

✓ : Available

Functions		Remote controller			Application (Smartphone)		Remarks
		Basic operation	Administrator menu	Installer menu	Owner / Administrator mode	Installer mode	
Filter Indicator	Filter sign (Reset)	✓					Filter sign notifies the time to clean the filter of indoor unit.
	Element sign (Reset)	✓					Element sign notifies the time to clean the element of air purifier unit when the indoor unit connected with air purifier unit.
Option	Prohibit function (user menu items)				✓	✓	Set whether user can change basic functions in each menu.
	Prohibit function (Center button prohibit)				✓	✓	
	Prohibit function (Operation Mode)				✓	✓	Limit available operation mode from remote controller in each mode.
Display	Contrast adjustment		✓				
	LCD backlight adjustment		✓		✓	✓	
	LED brightness adjustment (screen Backlight ON)	✓			✓	✓	The brightness of LED (Status indicator) when backlight is On or Off can be changed respectively. Also, LED can be turned off.
	LED brightness adjustment (screen Backlight OFF)	✓			✓	✓	
	Auto display OFF			✓		✓	

Functions		Remote controller			Application (Smartphone)		Remarks
		Basic operation	Administrator menu	Installer menu	Owner / Administrator mode	Installer mode	
Remote Controller Setting	Date and time setting		✓		✓	✓	
	Daylight Saving Time (DST)				✓	✓	
	R/C field settings			✓		✓	
	Display icon customization			✓		✓	
	Remote controller thermostat temperature offset			✓		✓	
	BLE settings (Pairing screen)		✓		✓	✓	
	Set / release Cooling / Heating master (for VRV)			✓			Decision procedure for the Master Control is same as BRC1E63.
	Administrator Password Settings		✓		✓	✓	Default is no password
Installer Password Settings			✓		✓		

Note: 1. Installer mode includes functions in the Owner / Administrator mode.

2. Installer mode requires dedicated QR code for startup.

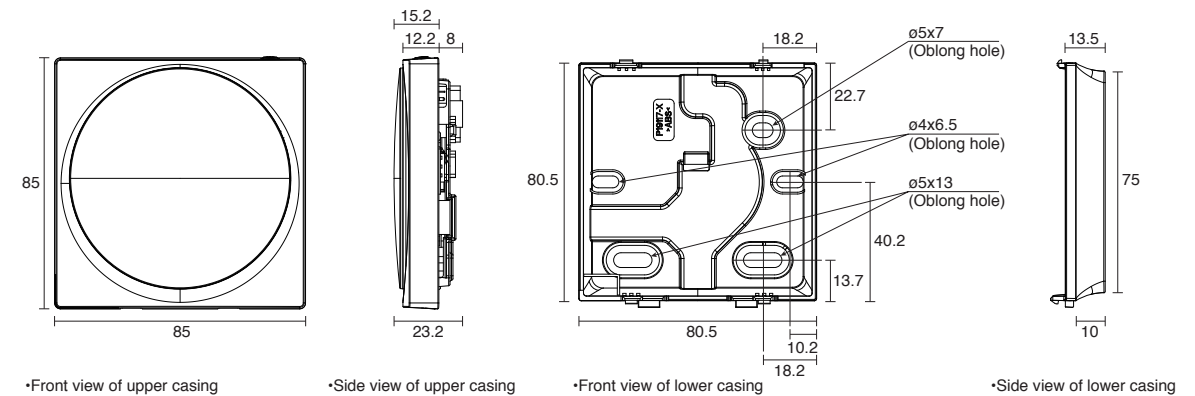
It can be obtained by either accessing the Daikin Business Portal or by contacting your local Daikin sales office.



# Specifications

Model		BRC1H61W	BRC1H61K
Colour		White	Black
Size (HxWxD)	mm	85 x 85 x 25	
Weight	g	110	
LCD backlight		Available	
Status indicator (LED)	Blue	Normal operation	
	Red	Error alert	
	Green	Bluetooth connection	
Maximum number of connectable indoor units		1 group (up to 16 indoor units)	
Wiring connections	For connection with indoor	P1-P2 wired connection from indoor unit	
	Size	mm <sup>2</sup>	0.75-1.25
Bluetooth wireless technology	Protocol	Bluetooth low energy 4.2 or higher	
Application		DAIKIN APP for installer	
Application operation system		Apple iOS 12 or higher, Android 9 or higher	

# Dimensions (Unit: mm)



# Memo

---